

IASO®

Better Outside

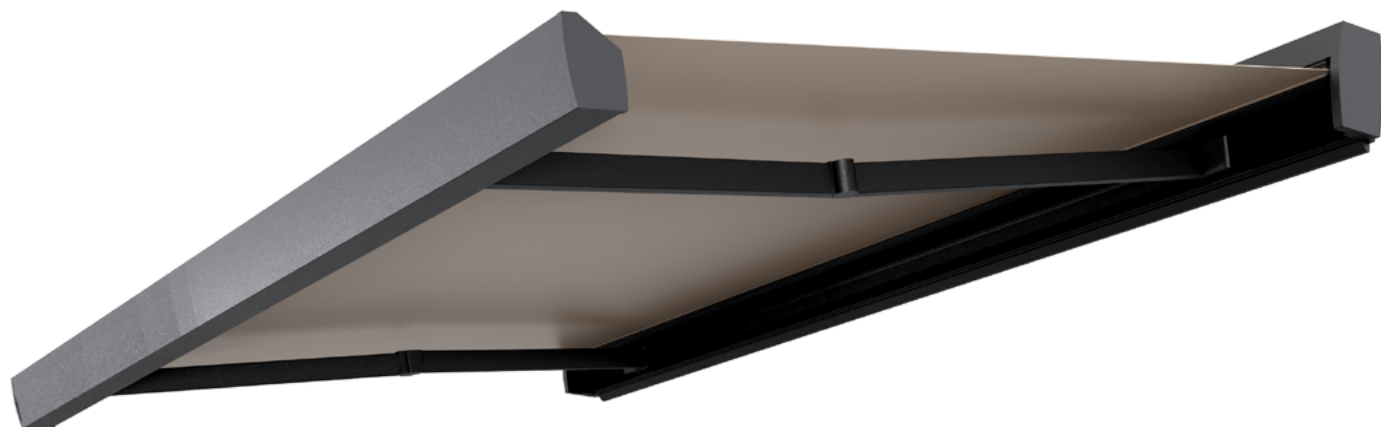
TECHNICAL DATA SHEET

ENGLISH

AWNING

WITH BOX

SPICA



INDEX	—	02 DESCRIPTION
		02 TECHNICAL CHARACTERISTICS
		02 EXTENDABLE ARMS
		02 INSTALLATION
		02 LIGHTING
		03 EXPLODED VIEW
		04 SUPPORT DIMENSIONS
		05 PROJECTION DIAGRAM
		05 MINIMUM SIZE
		06 PRODUCT CLASSIFICATION
		06 PRECIPITATION CLASSIFICATION
		06 WIND CLASSIFICATION
		07 MOTOR COMPATIBILITY
		07 MOTOR-TUBE COMPATIBILITY (Ø)
		07 MOTORISATION
		08 ACRYLIC FABRIC CONFIGURATION
		08 PLASTIC FABRIC CONFIGURATION
		09 EMITTERS

DESCRIPTION

SPICA is a cassette awning with extendable arms, featuring a simple and elegant design. All fixing elements and screws are fully concealed. Despite its compact size, the cassette can reach a projection of up to 410 cm with the Giant arm. The model is complemented by a wide range of options, such as the lighting kit and the cassette end cap.

TECHNICAL FEATURES

- Structure: Aluminium 6063-T5, for the profiles
- Screws and fittings: AISI 304 stainless steel and zinc-plated steel

EXTENDABLE ARMS

BALTEUS
BALTEUS + LED

↙ min. 160 cm
↘ max. 410 cm



BALTEUS GIANT
BALTEUS GIANT + LED

↙ min. 160 cm
↘ max. 410 cm



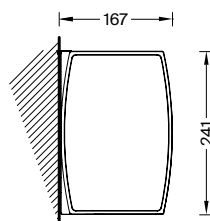
SPIN

↙ min. 160 cm
↘ max. 410 cm

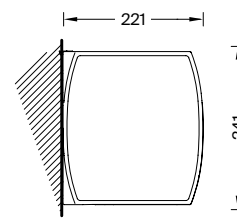


Cable | Chain

INSTALLATION



Wall mounting

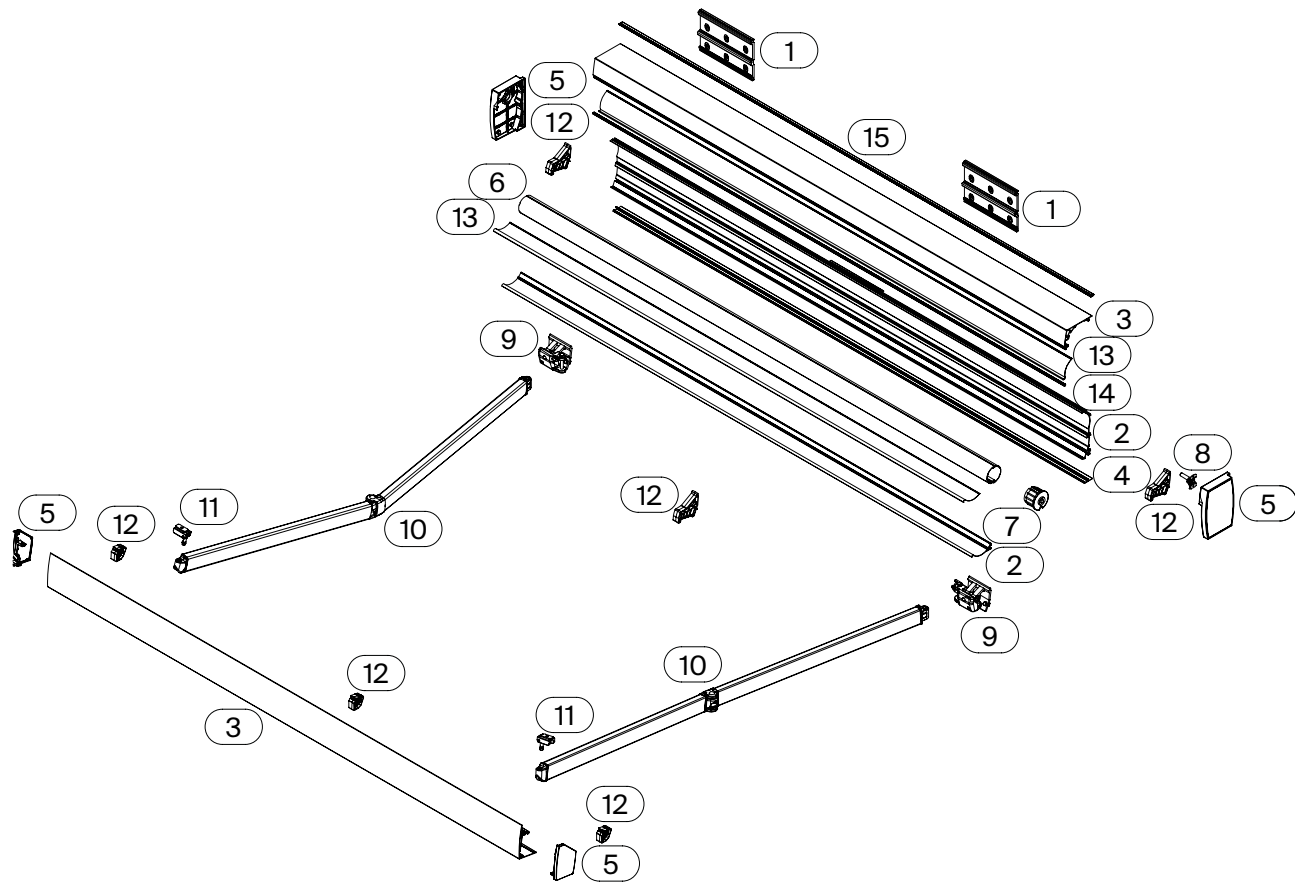


Wall mounting with
box terminal

LIGHTING

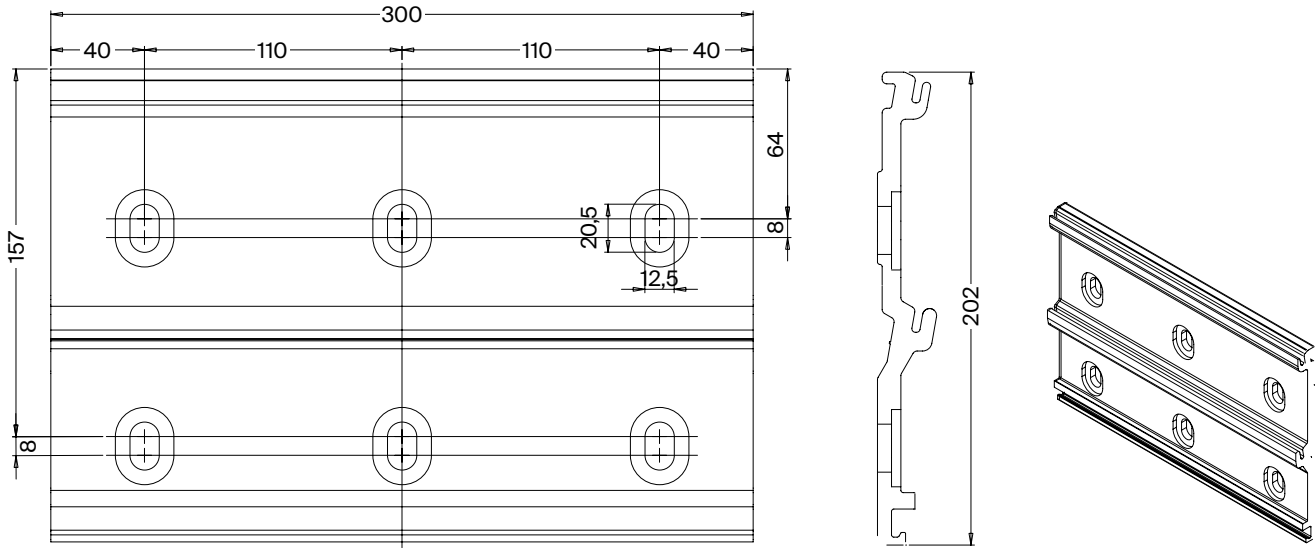
ARMS	CASSETTE	SIDE LIDS
Yes	Yes	Yes

EXPLODED VIEW



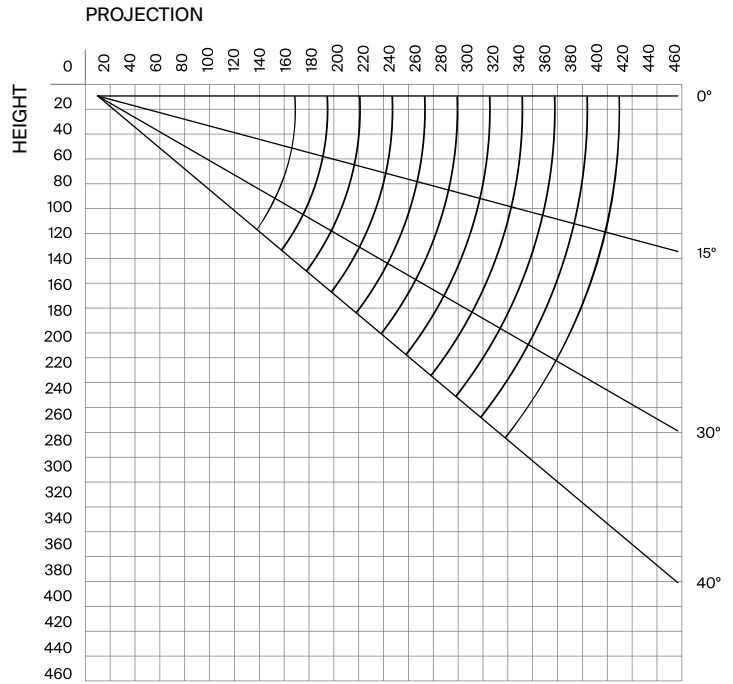
- 1 Extruded aluminium wall support
- 2 Rear profile kit
- 3 Front profile kit
- 4 Lower hood
- 5 End caps for terminal and box
- 6 Smooth "rollerbat" $\varnothing 80$ mm
- 7 $\varnothing 80$ mm bushing with $\varnothing 14$ mm opening
- 8 30 Mm plate with removable round axle
- 9 Folding-arm supports
- 10 Arms with balteus tape
- 11 Inclined sliders for "balteus/spin" arms
- 12 Funnel
- 13 PVC fabric-protection profile
- 14 Rubber

SUPPORT DIMENSIONS



PROJECTION DIAGRAM

Wall mounting

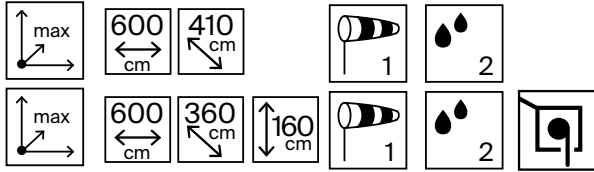


MINIMUM SIZE

	160	185	210	235	260	285	310	335	360	385	410
	221	246	271	296	321	346	371	396	424*	449*	474*
	-	-	-	-	329*	-	379*	-	429*	-	-

* Giant arms

PRODUCT CLASSIFICATION



PRECIPITATION CLASSIFICATION

CLASS	Average intensity in one hour (mm/h)	Environmental condition
1	≤ 2	Weak
2	$> 2 \text{ y } \leq 15$	Moderate

WIND CLASSIFICATION

CLASS	WIDTH (m)										
	PROJECTION (m)	2,50	3,00	3,50	4,00	4,50	5,00	5,50	6,00	6,50	7,00
1,60	1	1	1	1	1	1	1	1	1	-	-
1,85	1	1	1	1	1	1	1	1	1	-	-
2,10		1	1	1	1	1	1	1	1	-	-
2,35		1	1	1	1	1	1	1	1	-	-
2,60			1	1	1	1	1	1	1	-	-
2,85			1	1	1	1	1	1	1	-	-
3,10				1	1	1	1	1	1	-	-
3,35				1	1	1	1	1	1	-	-
3,60					1	1	1	1	1	-	-
3,85					1	1	1	1	1	-	-
4,10						1	1	1	1	-	-

CLASS	Grade Beaufort	Wind speed		Pressure	Environmental condition
1	0	0 - 1 km/h	0.0 - 0.3 m/s	0.05 N/m ²	Calm
	1	1 - 5 km/h	0.3 - 1.4 m/s	1.21 N/m ²	Very light breeze
	2	6 - 11 km/h	1.7 - 3.1 m/s	5.84 N/m ²	Light breeze
	3	12 - 19 km/h	3.4 - 5.3 m/s	17.41 N/m ²	Gentle breeze
2	4	20 - 28 km/h	5.6 - 7.8 m/s	37.81 N/m ²	Moderate wind
3	5	29 - 38 km/h	8.1 - 10.6 m/s	69.64 N/m ²	Fresh wind

MOTOR COMPATIBILITY

COMPATIBLE MOTOR	
Somfy Sunea io	Simu K7 Star

MOTOR-TUBE COMPATIBILITY (Ø)

MOTOR TORQUE (Nm)	MOTOR (mm)	TUBE (mm)
≤50	Ø50	Ø70 y Ø80
>50	Ø60	Ø80

MOTORISATION (Nm)

Couple Motor (Nm)	WIDTH (m)										
	PROJECTION (m)	2,50	3,00	3,50	4,00	4,50	5,00	5,50	6,00	6,50	7,00
1,60	30	30	30	30	30	30	50	50	50	50	50
1,85	30	30	30	30	40	40	50	50	50	50	50
2,10		30	30	30	40	40	50	50	70	70	70
2,35		40	40	40	50	50	70	70	70	70	70
2,60			40	40	50	50	70	70	70	70	70
2,85			40	40	50	50	70	70	85	85	85
3,10				50	50	50	70	70	85	85	85
3,35				50	50	50	70	70	85	85	85
3,60					55	55	70	70	85	85	85
3,85					70	70	70	70	85	85	85
4,10						70	70	70	85	85	85

ACRYLIC FABRIC CONFIGURATION

PROJECTION (m)	WIDTH (m)									
	2,50	3,00	3,50	4,00	4,50	5,00	5,50	6,00	6,50	7,00
1,60	2/2/80	2/2/80	2/2/80	2/2/80	2/3/80	2/3/80	2/3/80	2/3/80	4/4/80	4/4/80
1,85	2/2/80	2/2/80	2/2/80	2/2/80	2/3/80	2/3/80	2/3/80	2/3/80	4/5/80	4/5/80
2,10		2/2/80	2/2/80	2/2/80	2/3/80	2/3/80	2/3/80	2/3/80	4/4/80	4/4/80
2,35		2/2/80	2/2/80	2/2/80	2/3/80	2/3/80	2/3/80	2/3/80	4/4/80	4/4/80
2,60			2/3/80	2/3/80	2/3/80	2/3/80	2/3/80	2/3/80	3/3/80	3/3/80
2,85			2/3/80	2/3/80	2/3/80	2/3/80	2/3/80	2/3/80	3/4/80	3/4/80
3,10				2/3/80	2/3/80	2/3/80	2/3/80	2/3/80	3/4/80	3/4/80
3,35				2/3/80	2/3/80	2/3/80	2/3/80	2/3/80	3/4/80	3/4/80
3,60					2/3/80	2/3/80	2/3/80	2/3/80	2/3/80	2/3/80
3,85					2/3/80	2/3/80	2/3/80	2/3/80	2/3/80	2/3/80
4,10						2/3/80	2/3/80	2/3/80	2/3/80	2/3/80

* Arms / Supports / Ø Roller tube

PLASTIC FABRIC CONFIGURATION

PROJECTION (m)	WIDTH (m)									
	2,50	3,00	3,50	4,00	4,50	5,00	5,50	6,00	6,50	7,00
1,60	2/2/80	2/2/80	2/2/80	2/2/80	2/3/80	2/3/80	2/3/80	2/3/80	4/4/80	4/4/80
1,85	2/2/80	2/2/80	2/2/80	2/2/80	2/3/80	2/3/80	2/3/80	2/3/80	4/5/80	4/5/80
2,10		2/2/80	2/2/80	2/2/80	2/3/80	2/3/80	2/3/80	2/3/80	4/4/80	4/4/80
2,35		2/2/80	2/2/80	2/2/80	2/3/80	2/3/80	2/3/80	2/3/80	4/4/80	4/4/80
2,60			2/3/80	2/3/80	2/3/80	2/3/80	2/3/80	2/3/80	3/3/80	3/3/80
2,85			2/3/80	2/3/80	2/3/80	2/3/80	2/3/80	2/3/80	3/4/80	3/4/80
3,10				2/3/80	2/3/80	2/3/80	2/3/80	2/3/80	3/4/80	3/4/80
3,35				2/3/80	2/3/80	2/3/80	2/3/80	2/3/80	3/4/80	3/4/80
3,60					2/3/80	2/3/80	2/3/80	2/3/80	2/3/80	2/3/80
3,85					2/3/80	2/3/80	2/3/80	2/3/80	2/3/80	2/3/80
4,10						2/3/80	2/3/80	2/3/80	2/3/80	2/3/80

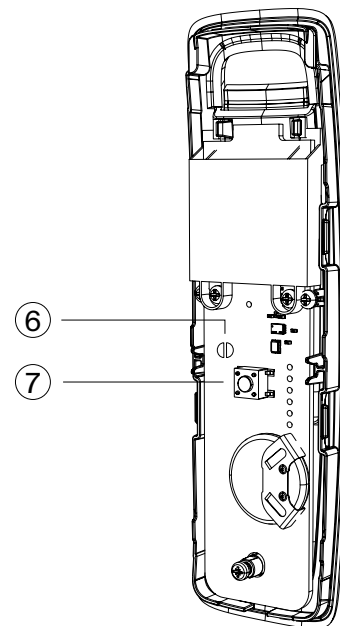
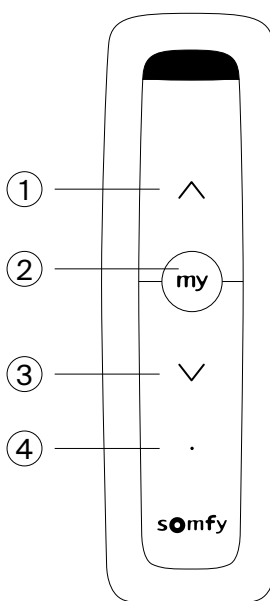
* Arms / Supports / Ø Roller tube

EMITTERS

SOMFY SITUO 1

Frequency	IO 868 MHz
Gutters	1
Power supply	CR2032 3V
Operating range	50 m (20 m interior)
Protection rating	IP30
Dimensions	139 × 42 × 16 mm

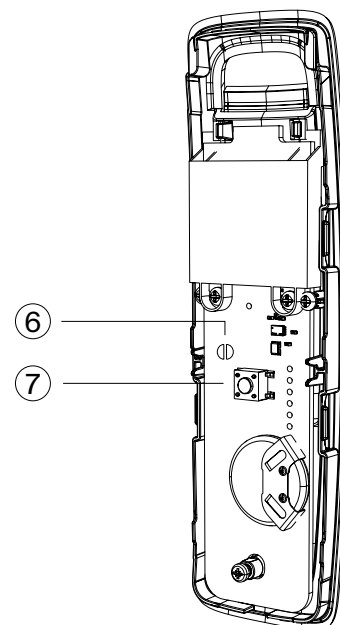
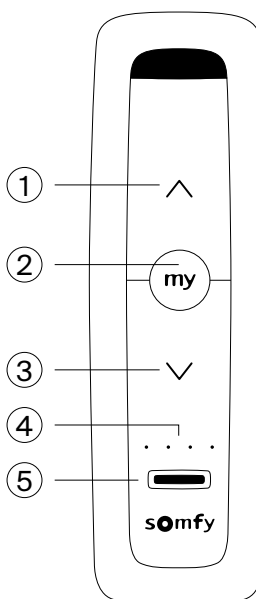
- ① Up/On/Open button
- ② STOP/my button
- ③ Down/Off/Close button
- ④ Button activation indicator light
- ⑥ PROG button
- ⑦ Specific autonomous mode selector



SOMFY SITUO 5

Frequency	IO 868 MHz
Gutters	5
Power supply	CR2430 3V
Operating range	50 m (20 m interior)
Protection rating	IP30
Dimensions	139 × 42 × 16 mm

- ① Up/On/Open button
- ② STOP/my button
- ③ Down/Off/Close button
- ④ Button activation and group selection indicator light
- ⑤ Group selector
- ⑥ PROG button
- ⑦ Specific autonomous mode selector

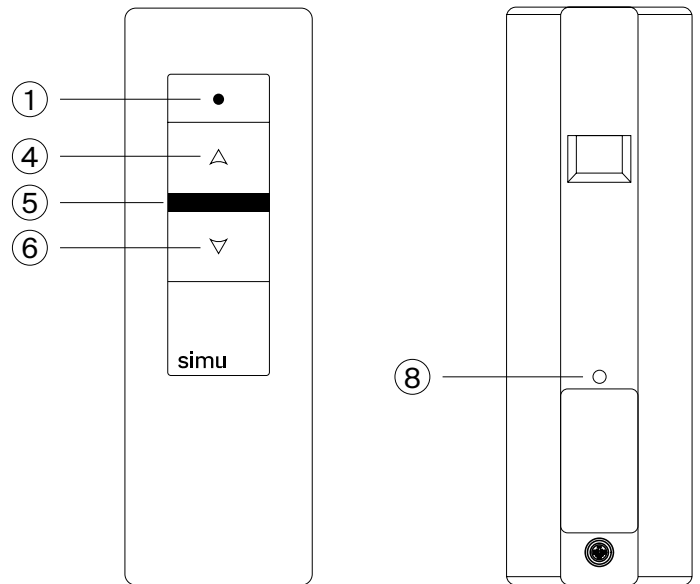


* Somfy transmitters are exclusively compatible with Somfy motors, and Simu transmitters exclusively with Simu motors.

SIMU MOBILE 1C

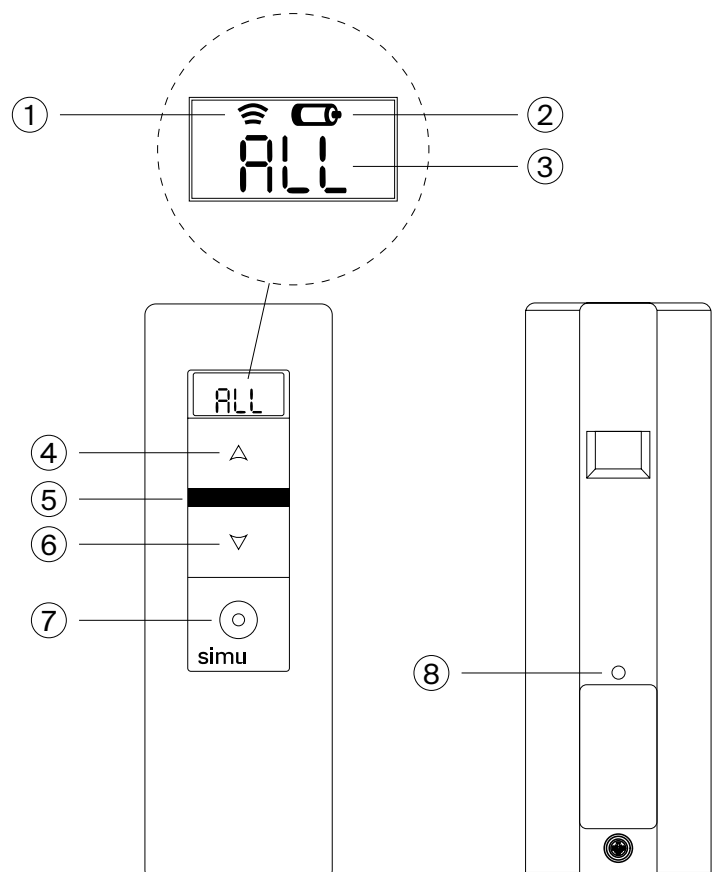
Frequency	433,42 MHz
Gutters	1
Power supply	CR2430 3V
Operating range	50 m (20 m interior)
Protection rating	IP30
Dimensions	125 x 40 x 15 mm

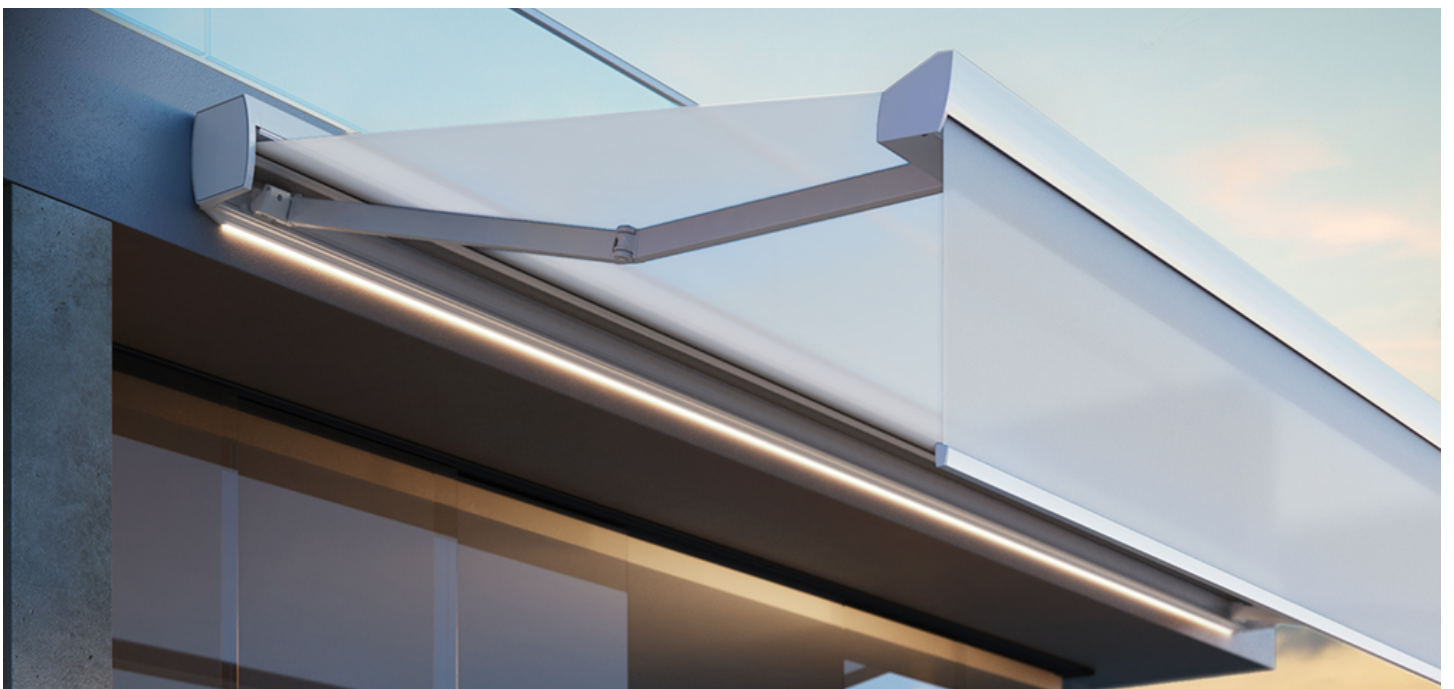
- ① Transmission indicator
- ④ UP control button
- ⑤ STOP / P.I. control button
- ⑥ DOWN control button
- ⑧ Programming button "PROG"

**SIMU MOBILE 5C**

Frequency	433,42 MHz
Gutters	5
Power supply	CR2430 3V
Operating range	50 m (20 m interior)
Protection rating	IP30
Dimensions	125 x 40 x 15 mm
Screen	Yes

- ① Transmission indicator
- ② Low battery indicator
- ③ Selected channel: 1, 2, 3, 4, 5 or All
- ④ UP control button
- ⑤ STOP / P.I. control button
- ⑥ DOWN control button
- ⑦ Selection button
- ⑧ Programming button "PROG"





We believe in the *elegance* of engineering.